

DEXTER I, II, III, IV & VII

DEXTER I	WHIRLPOOL	6042DW	DEXTER III	WHIRLPOOL	6036DW
DEXTER I	AIR BATH	6042DA	DEXTER III	AIR BATH	6036DA
DEXTER I	COMBO BATH	6042DWA	DEXTER III	COMBO BATH	6036DWA
DEXTER I	TUB ONLY	6042DT	DEXTER III	TUB ONLY	6036DT

DEXTER II	WHIRLPOOL	7242DW	DEXTER IV	WHIRLPOOL	7236DW
DEXTER II	AIR BATH	7242DA	DEXTER IV	AIR BATH	7236DA
DEXTER II	COMBO BATH	7242DWA	DEXTER IV	COMBO BATH	7236DWA
DEXTER II	TUB ONLY	7242DT	DEXTER IV	TUB ONLY	7236DT

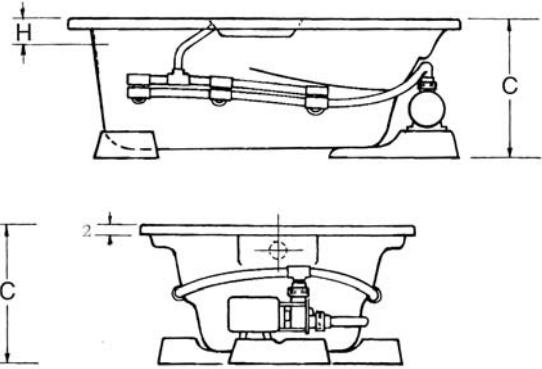
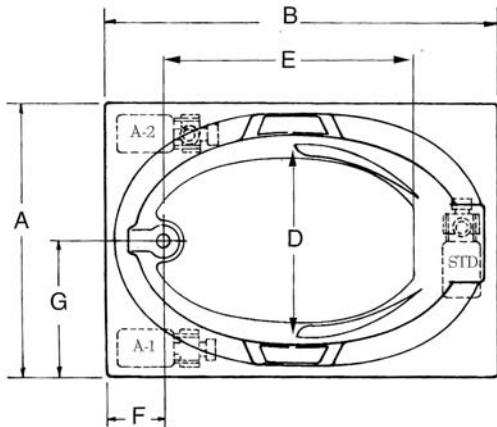
DEXTER VII	WHIRLPOOL	6642DW
DEXTER VII	AIR BATH	6642DA
DEXTER VII	COMBO BATH	6642DWA
DEXTER VII	TUB ONLY	6642DT

INSTALLATION NOTES: Install this acrylic fixture according to the installation manual. Confirm specifications before starting installation.

ELECTRICAL REQUIREMENTS: Whirlpool pump/motor 120V, 20A, 60HZ, Air Blower/Heater 120V, 20A, 60HZ. Dedicated GFCI required.

All dimensions are +/- 1/4" and subject to change without notice.

Available with an optional attachable skirt with removable access panel.



MODEL #	A	B	C	D	E	F	G	H
6036	36	60	21 1/2	22	36	10	18	5 1/2
7236	36	72	21 1/2	22	48	10	18	5 1/2
6042	41 3/4	59 1/2	21 1/2	27	36	9	21	5 1/2
6642	41 3/4	65 3/4	21 1/2	27	41	11	20 5/8	5 1/2
7242	41 5/8	71 1/2	21 1/2	28	45	11	20 3/4	5 1/2

MODEL #	WATER CAPACITY OPERATING LEVEL	WATER CAPACITY TO OVERFLOW	WATER DEPTH TO OVERFLOW	APPROX. UNIT WT.
6036 WHIRL/AIR/COMBO	42 gal.	51 gal.	15 1/4	135 lbs.
6036 SOAKER	-	51 gal.	15 1/4	110 lbs.
7236 WHIRL/AIR/COMBO	54 gal.	63 gal.	15 1/2	150 lbs.
7236 SOAKER	-	63 gal.	15 1/2	125 lbs.
6042 WHIRL/AIR/COMBO	45 gal.	56 gal.	15 1/4	140 lbs.
6042 SOAKER	-	56 gal.	15 1/4	105 lbs.
6642 WHIRL/AIR/COMBO	47 gal.	65 gal.	16	148 lbs.
6642 SOAKER	-	65 gal.	16	113 lbs.
7242 WHIRL/AIR/COMBO	59 gal.	75 gal.	16	155 lbs.
7242 SOAKER	-	75 gal.	16	120 lbs.



Sales & Customer Service

phone: 800.930.0050
 fax: 800.930.0051
 email: sales@luxurylinetubs.com
 web: www.luxurylinetubs.com

Facilities

1610 James Rodgers Drive
 Valdosta, GA 31601
 510 E Jones St
 Wilson, NC 27893