

# DEXTER V & VI

- V** DEXTER V WHIRLPOOL 6042DWSR/SL\*  
 DEXTER V AIR BATH 6042DASR/SL\*  
 DEXTER V COMBO BATH 6042DWASR/SL\*  
 DEXTER V TUB ONLY 6042DTSR/SL\*
- VI** DEXTER VI WHIRLPOOL 7242DWSR/SL\*  
 DEXTER VI AIR BATH 7242DASR/SL\*  
 DEXTER VI COMBO BATH 7242DWASR/SL\*  
 DEXTER VI TUB ONLY 7242DTSR/SL\*

INSTALLATION NOTES: Install this acrylic fixture according to the installation manual. Confirm specifications before starting installation.

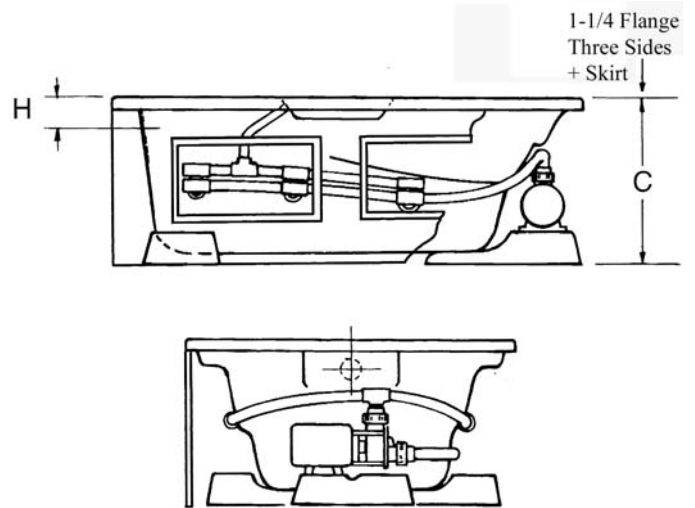
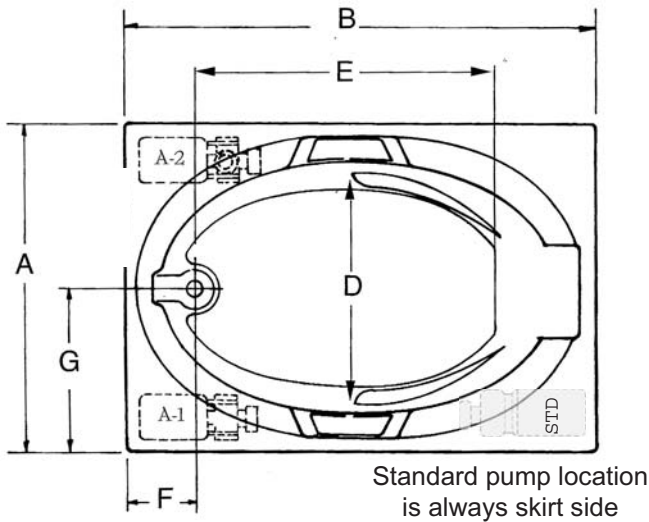
ELECTRICAL REQUIREMENTS: Whirlpool pump/motor 120V, 20A, 60HZ, Air Blower/Heater 120V, 20A, 60HZ. Dedicated GFCI required.

All dimensions are +/- 1/4" and subject to change without notice.

All models shown are made with an integral skirt and an integral tiling flange

Access panels on skirts are provided for all tubs with pumps, blowers, heaters

\* Left or Right Drain



MODEL #	A	B	C	D	E	F	G	H
6042	41 3/4	59 7/8	21 1/2	26	36	9	20 5/8	3 1/2
7242	41 3/4	71 3/4	21 1/2	28	45	11	20 5/8	3 1/2

MODEL #	WATER CAPACITY OPERATING LEVEL	WATER CAPACITY TO OVERFLOW	WATER DEPTH TO OVERFLOW	APPROX. UNIT WT.
6042 WHIRL/AIR/COMBO	38 gal.	56 gal.	15 1/4	140 lbs.
6042 SOAKER	-	56 gal.	15 1/4	105 lbs.
7242 WHIRL/AIR/COMBO	59 gal.	75 gal.	16	155 lbs.
7242 SOAKER	-	75 gal.	16	120 lbs.



Sales & Customer Service  
 phone: 800.930.0050  
 fax: 800.930.0051  
 email: sales@luxurylinetubs.com  
 web: www.luxurylinetubs.com

Facilities  
 1610 James Rodgers Drive  
 Valdosta, GA 31601  
 510 E Jones St  
 Wilson, NC 27893