

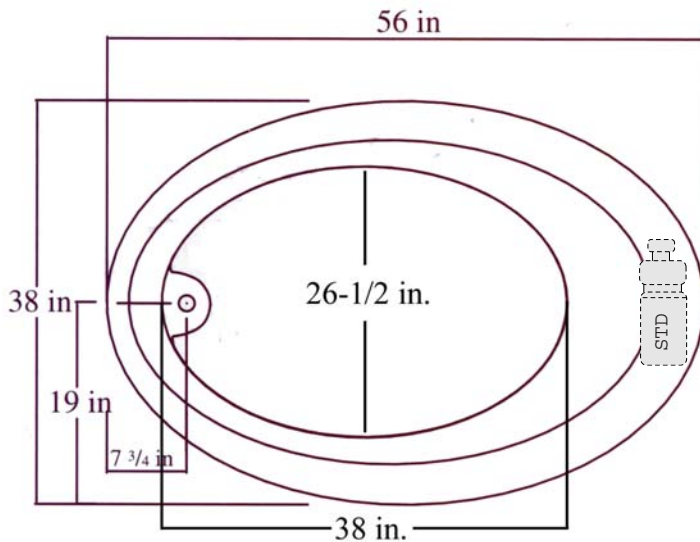
INGLEWOOD

INGLEWOOD	WHIRLPOOL	5638IW
INGLEWOOD	AIR BATH	5638IA
INGLEWOOD	COMBO BATH	5638IWA
INGLEWOOD	TUB ONLY	5638IT

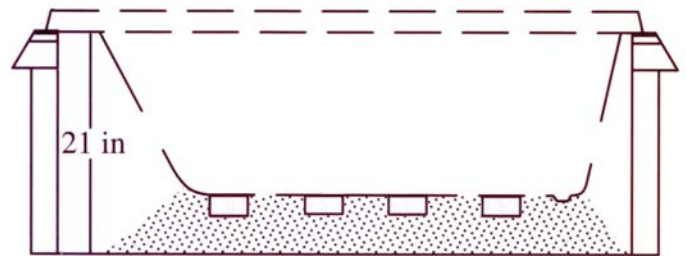
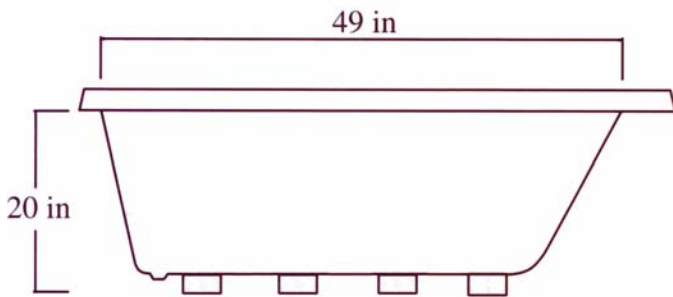
INSTALLATION NOTES: Install this acrylic fixture according to the installation manual. Confirm specifications before starting installation.

ELECTRICAL REQUIREMENTS: Whirlpool pump/motor 120V, 20A, 60HZ, Air Blower/Heater 120V, 20A, 60HZ. Dedicated GFCI required.

All dimensions are +/- 1/4" and subject to change without notice.



SPECIFICATIONS	WHIRLPOOL	SOAKER
	AIR/COMBO	
56" x 38" x 21"		
Water Capacity - Operating Level	42.0 gal.	
- To Overflow	50.0 gal.	50.0 gal.
Approx. Unit Weight.....	130.0 lbs.	100.0 lbs.
Water Depth to Overflow	12 1/2"	12 1/2"



Sales & Customer Service

phone: 800.930.0050
 fax: 800.930.0051
 email: sales@luxurylinetubs.com
 web: www.luxurylinetubs.com

Facilities

1610 James Rodgers Drive
 Valdosta, GA 31601
 510 E Jones St
 Wilson, NC 27893