

Luxury Line

Jackson

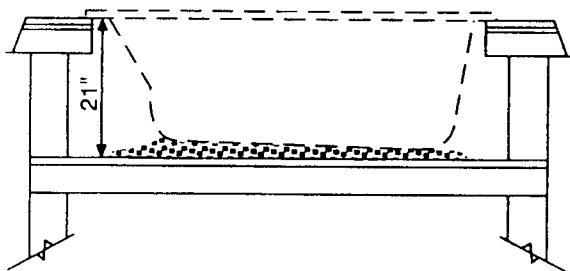
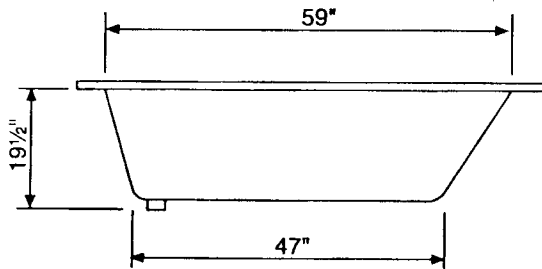
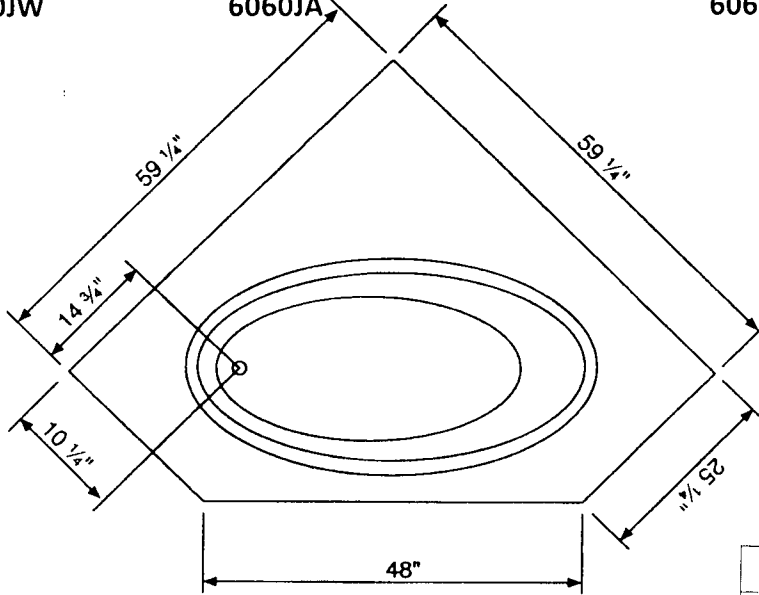
MODELS

Whirlpool
6060JW

Air Tub
6060JA

Combo Tub
6060JWA

Tub Only
6060JT



COLOR CODE

White- 064
Oyster-
Almond- 391
Bone- 345
Linen- 658

WHIRLPOOL SPECS	QTY.
PUMP-MOUNTED	1
COLOR-COORD, PVC JETS	6
COLOR-COORD, PVC SUCTION COVER	1
COLOR-COORD, AIR SWITCH	1
COLOR-COORD, AIR CONTROL	2

WIDTH O.D. 83 5/8"
DEPTH O.D. 59 1/4"
HEIGHT O.D. 20 1/2"
CAPACITY TO OVERFLOW 62 GAL.
FILLED WEIGHT 626 LBS.
SHIPPING WEIGHT 130 LBS.
BOTTOM SUMP DIMENSION 27 1/2" x 42"
Measurement may vary ± 1/4"

The company employs independent testing to certify that products meet the requirements of ANSI Z124.1 or ANSI Z124.2 and FHA/HUD - UM-73a.

1610 James P. Rodgers Drive, Valdosta, Georgia 31601, (229) 333-0808