

KINGSTON I, II, III & VII

I
 KINGSTON I WHIRLPOOL 6032KW
 KINGSTON I AIR BATH 6032KA
 KINGSTON I COMBO BATH 6032KWA
 KINGSTON I TUB ONLY 6032KT

II
 KINGSTON II WHIRLPOOL 6036KW
 KINGSTON II AIR BATH 6036KA
 KINGSTON II COMBO BATH 6036KWA
 KINGSTON II TUB ONLY 6036KT

III
 KINGSTON III WHIRLPOOL 7236KW
 KINGSTON III AIR BATH 7236KA
 KINGSTON III COMBO BATH 7236KWA
 KINGSTON III TUB ONLY 7236KT

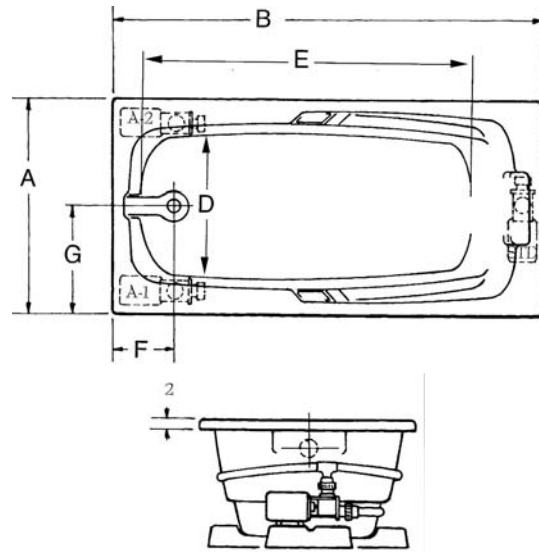
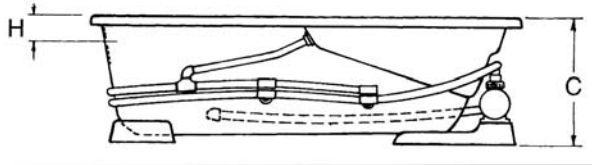
VII
 KINGSTON VII WHIRLPOOL 6636KW
 KINGSTON VII AIR BATH 6636KTA
 KINGSTON VII COMBO BATH 6636KWA
 KINGSTON VII TUB ONLY 6636KT

INSTALLATION NOTES: Install this acrylic fixture according to the installation manual. Confirm specifications before starting installation.

ELECTRICAL REQUIREMENTS: Whirlpool pump/motor 120V, 20A, 60HZ, Air Blower/Heater 120V, 20A, 60HZ. Dedicated GFCI required.

All dimensions are +/- 1/4" and subject to change without notice.

Available with an optional attachable skirt with removable access panel.



MODEL #	A	B	C	D	E	F	G	H
6032	31 7/8	59 3/4	21 1/2	16	37	9 1/2	16	5 1/2
6036	35 7/8	59 7/8	21 1/2	19	37	9 7/8	18	5 1/2
7236	35 5/8	71 5/8	21 1/2	19	50	10 1/4	18	5 1/2
6636	36	65 3/4	21 1/2	19	44	10	18	5 1/2

MODEL #	WATER CAPACITY OPERATING LEVEL	WATER CAPACITY TO OVERFLOW	WATER DEPTH TO OVERFLOW	APPROX. UNIT WT.
6032 WHIRL/AIR/COMBO	41 gal.	54 gal.	15	120 lbs.
6032 SOAKER	-	54 gal.	15	85 lbs.
6036 WHIRL/AIR/COMBO	44 gal.	58 gal.	16	135 lbs.
6036 SOAKER	-	58 gal.	16	100 lbs.
7236 WHIRL/AIR/COMBO	51 gal.	71 gal.	16	145 lbs.
7236 SOAKER	-	71 gal.	16	110 lbs.
6636 WHIRL/AIR/COMBO	47 gal.	64 gal.	15	140 lbs.
6636 SOAKER	-	64 gal.	15	105 lbs.



Sales & Customer Service
 phone: 800.930.0050
 fax: 800.930.0051
 email: sales@luxurylinetubs.com
 web: www.luxurylinetubs.com

Facilities
 1610 James Rodgers Drive
 Valdosta, GA 31601
 510 E Jones St
 Wilson, NC 27893