

# MADISON I, II & III

**I** MADISON I WHIRLPOOL 6042MW  
 MADISON I AIR BATH 6042MA  
 MADISON I COMBO BATH 6042MWA  
 MADISON I TUB ONLY 6042MT

**II** MADISON II WHIRLPOOL 7242MW  
 MADISON II AIR BATH 7242MA  
 MADISON II COMBO BATH 7242MWA  
 MADISON II TUB ONLY 7242MT

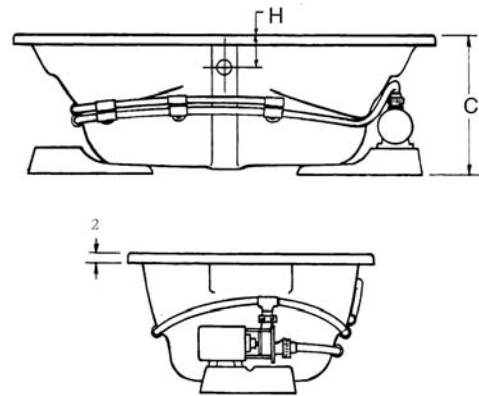
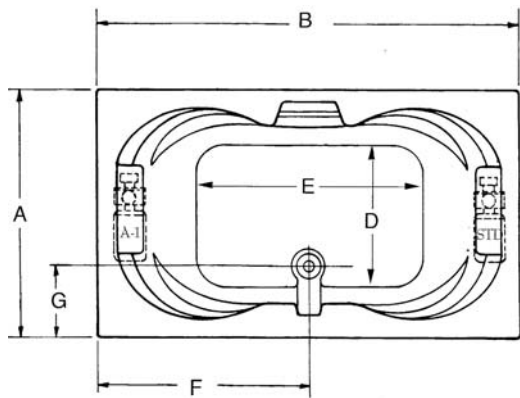
**III** MADISON III WHIRLPOOL 7248MW  
 MADISON III AIR BATH 7248MA  
 MADISON III COMBO BATH 7248MWA  
 MADISON III TUB ONLY 7248MT

INSTALLATION NOTES: Install this acrylic fixture according to the installation manual. Confirm specifications before starting installation.

ELECTRICAL REQUIREMENTS: Whirlpool pump/motor 120V, 20A, 60HZ, Air Blower/Heater 120V, 20A, 60HZ. Dedicated GFCI required.

All dimensions are +/- 1/4" and subject to change without notice.

Available with an optional attachable skirt with removable access panel.



MODEL #	A	B	C	D	E	F	G	H
6042	42	60	23	25	38	30	12	5 1/2
7242	41 7/8	71 3/4	23	25	42	35 3/4	12	5 1/2
7248	48	72 1/2	23	31	42	36 1/4	12	5 1/2

MODEL #	WATER CAPACITY OPERATING LEVEL	WATER CAPACITY TO OVERFLOW	WATER DEPTH TO OVERFLOW	APPROX. UNIT WT.
6042 WHIRL/AIR/COMBO	44 gal.	90 gal.	16 3/4	170 lbs.
6042 SOAKER	-	90 gal.	16 3/4	135 lbs.
7242 WHIRL/AIR/COMBO	56 gal.	101 gal.	17	185 lbs.
7242 SOAKER	-	101 gal.	17	150 lbs.
7248 WHIRL/AIR/COMBO	65 gal.	112 gal.	17 1/4	200 lbs.
7248 SOAKER	-	112 gal.	17 1/4	165 lbs.



Sales & Customer Service  
 phone: 800.930.0050  
 fax: 800.930.0051  
 email: sales@luxurylinetubs.com  
 web: www.luxurylinetubs.com

Facilities  
 1610 James Rodgers Drive  
 Valdosta, GA 31601  
 510 E Jones St  
 Wilson, NC 27893