

MADISON I, II & III

I MADISON I WHIRLPOOL 6042MW
 MADISON I AIR BATH 6042MA
 MADISON I COMBO BATH 6042MWA
 MADISON I TUB ONLY 6042MT

II MADISON II WHIRLPOOL 7242MW
 MADISON II AIR BATH 7242MA
 MADISON II COMBO BATH 7242MWA
 MADISON II TUB ONLY 7242MT

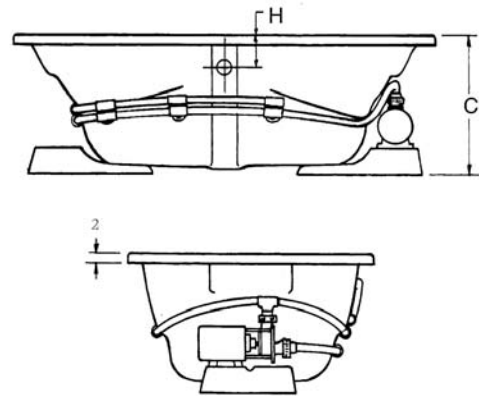
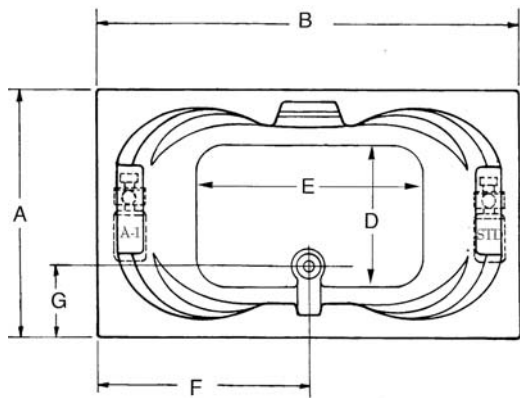
III MADISON III WHIRLPOOL 7248MW
 MADISON III AIR BATH 7248MA
 MADISON III COMBO BATH 7248MWA
 MADISON III TUB ONLY 7248MT

INSTALLATION NOTES: Install this acrylic fixture according to the installation manual. Confirm specifications before starting installation.

ELECTRICAL REQUIREMENTS: Whirlpool pump/motor 120V, 20A, 60HZ, Air Blower/Heater 120V, 20A, 60HZ. Dedicated GFCI required.

All dimensions are +/- 1/4" and subject to change without notice.

Available with an optional attachable skirt with removable access panel.



MODEL #	A	B	C	D	E	F	G	H
6042	42	60	23	25	38	30	12	5 1/2
7242	41 7/8	71 3/4	23	25	42	35 3/4	12	5 1/2
7248	48	72 1/2	23	31	42	36 1/4	12	5 1/2

MODEL #	WATER CAPACITY OPERATING LEVEL	WATER CAPACITY TO OVERFLOW	WATER DEPTH TO OVERFLOW	APPROX. UNIT WT.
6042 WHIRL/AIR/COMBO	44 gal.	90 gal.	16 3/4	170 lbs.
6042 SOAKER	-	90 gal.	16 3/4	135 lbs.
7242 WHIRL/AIR/COMBO	56 gal.	101 gal.	17	185 lbs.
7242 SOAKER	-	101 gal.	17	150 lbs.
7248 WHIRL/AIR/COMBO	65 gal.	112 gal.	17 1/4	200 lbs.
7248 SOAKER	-	112 gal.	17 1/4	165 lbs.



Sales & Customer Service
 phone: 800.930.0050
 fax: 800.930.0051
 email: sales@luxurylinetubs.com
 web: www.luxurylinetubs.com

Facilities
 1610 James Rodgers Drive
 Valdosta, GA 31601
 510 E Jones St
 Wilson, NC 27893