

Luxury Line

Pacer

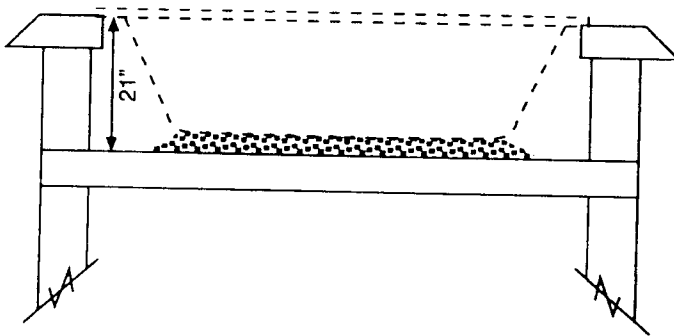
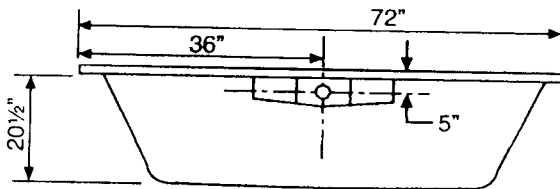
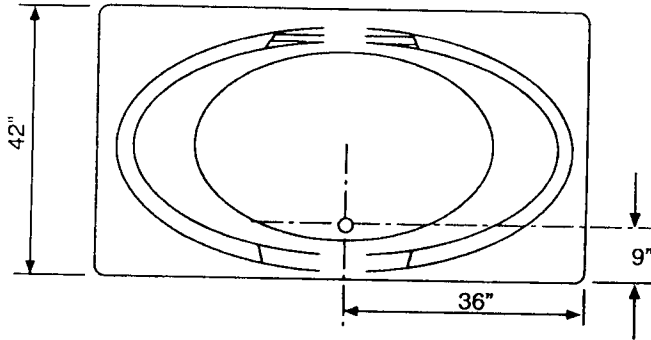
MODELS

Whirlpool
7242PW

Air Tub
7242PA

Combo Tub
7242PWA

Tub Only
7242PT



COLOR CODE

White- 064
Biscuit- 528
Almond- 391
Bone- 345
Linen- 658

WHIRLPOOL SPECS	QTY.
PUMP-MOUNTED	1
COLOR-COORD, PVC JETS	6
COLOR-COORD, PVC SUCTION COVER	1
COLOR-COORD, AIR SWITCH	1
COLOR-COORD, AIR CONTROL	2

WIDTH O.D. 72"
DEPTH O.D. 42"
HEIGHT O.D. 21 1/2"
CAPACITY TO OVERFLOW 83 GAL.
FILLED WEIGHT 780 LBS.
SHIPPING WEIGHT 115 LBS.
BOTTOM SUMP DIMENSION 46" x 28"
Measurement may vary ± 1/4"

The company employs independent testing to certify that products meet the requirements of ANSI Z124.1 or ANSI Z124.2 and FHA/HUD - UM-73a.

1610 James P. Rodgers Drive, Valdosta, Georgia 31601, (229) 333-0808