

# TIFTON I, II, III, IV & V

- |               |            |                |            |
|---------------|------------|----------------|------------|
| I WHIRLPOOL   | 4730WIWR/L | III WHIRLPOOL  | 5126WIWR/L |
| I AIR BATH    | 4730WIAR/L | III AIR BATH   | 5126WIAR/L |
| I COMBO BATH  | 4730WICR/L | III COMBO BATH | 5126WICR/L |
| I TUB ONLY    | 4730WITR/L | III TUB ONLY   | 5126WITR/L |
| II WHIRLPOOL  | 5031WIWR/L | IV WHIRLPOOL   | 5430WIWR/L |
| II AIR BATH   | 5031WIAR/L | IV AIR BATH    | 5430WIAR/L |
| II COMBO BATH | 5031WICR/L | IV COMBO BATH  | 5430WICR/L |
| II TUB ONLY   | 5031WITR/L | IV TUB ONLY    | 5430WITR/L |
| V WHIRLPOOL   | 6030WIWR/L |                |            |
| V AIR BATH    | 6030WIAR/L |                |            |
| V COMBO BATH  | 6030WICR/L |                |            |
| V TUB ONLY    | 6030WITR/L |                |            |
- \* Left or Right Drain

INSTALLATION NOTES: Install this acrylic fixture according to the installation manual. Confirm specifications before starting installation.

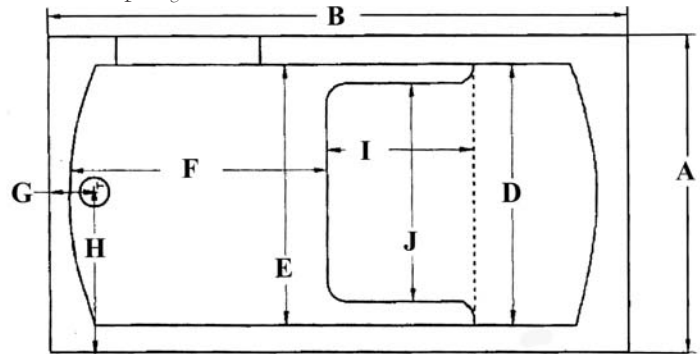
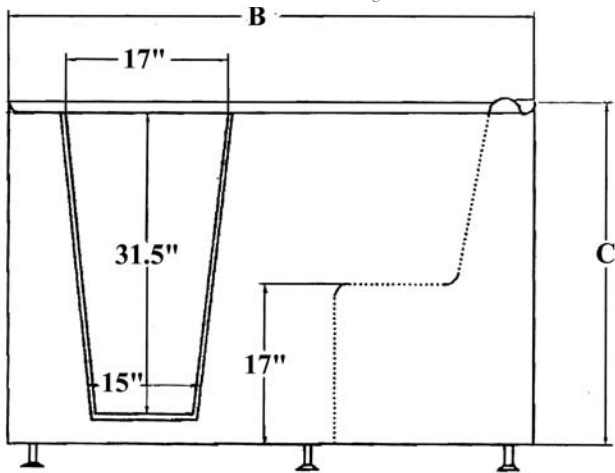
ELECTRICAL REQUIREMENTS: Whirlpool pump/motor 120V, 20A, 60HZ, Air Blower/Heater 120V, 20A, 60HZ. Dedicated GFCI required.

Tub is supported by a rigid stainless steel frame with five leveling legs

All dimensions are +/- 1/4" and subject to change without notice.

All models shown made with integral skirt and integral tiling flange.

Step height is 7-1/2"



MODEL#	A	B	C	D	E	F	G	H	I	J
4730	30	47	38	22 1/2	20	18 1/2	13 1/2	14 1/2	11	20
5031	31	50	38	23 1/2	21	22	11	15	12	21 3/4
5126	26 1/2	51	38	19 1/2	17 3/4	22	10 1/4	12 3/4	10 3/4	17 1/2
5430	30	54	38	22 1/2	20	20	10	14 1/2	12 1/2	22 1/4
6030	30	59 1/2	38	22 3/4	20	26	13 1/2	14 1/2	13 1/2	21 1/2

MODEL#	WATER CAPACITY OPERATING LEVEL	WATER CAPACITY TO OVERFLOW	WATER DEPTH TO OVERFLOW	APPROX. UNIT WT.
4730 WHIRL/AIR/COMBO	45 gal.	51 gal.	29 1/2	157 lbs.
4730 SOAKER	-	51 gal.	29 1/2	120 lbs.
5031 WHIRL/AIR/COMBO	50 gal.	57 gal.	29 1/2	170 lbs.
5031 SOAKER	-	57 gal.	29 1/2	140 lbs.
5126 WHIRL/AIR/COMBO	53 gal.	60 gal.	29 1/2	179 lbs.
5126 SOAKER	-	60 gal.	29 1/2	144 lbs.
5430 WHIRL/AIR/COMBO	55 gal.	62 gal.	29 1/2	195 lbs.
5430 SOAKER	-	62 gal.	29 1/2	154 lbs.
6030 WHIRL/AIR/COMBO	60 gal.	67 gal.	29 1/2	215 lbs.
6030 SOAKER	-	67 gal.	29 1/2	169 lbs.



Sales & Customer Service

phone: 800.930.0050  
 fax: 800.930.0051  
 email: sales@luxurylinetubs.com  
 web: www.luxurylinetubs.com

Facilities

1610 James Rodgers Drive  
 Valdosta, GA 31601  
 510 E Jones St  
 Wilson, NC 27893