

THE LUXURY LINE

Walk-In Bathtub Owner's Manual



Table of Contents

Table of Contents.....Page 2
Introduction.....Page 3-4
Warnings and operational information.....Page 5-6
Operation Instructions.....Page 7
Drain Adjustment Instructions.....Page 8
Care and Maintenance.....Page 9
Warranty Information.....Page 10



Contact Information

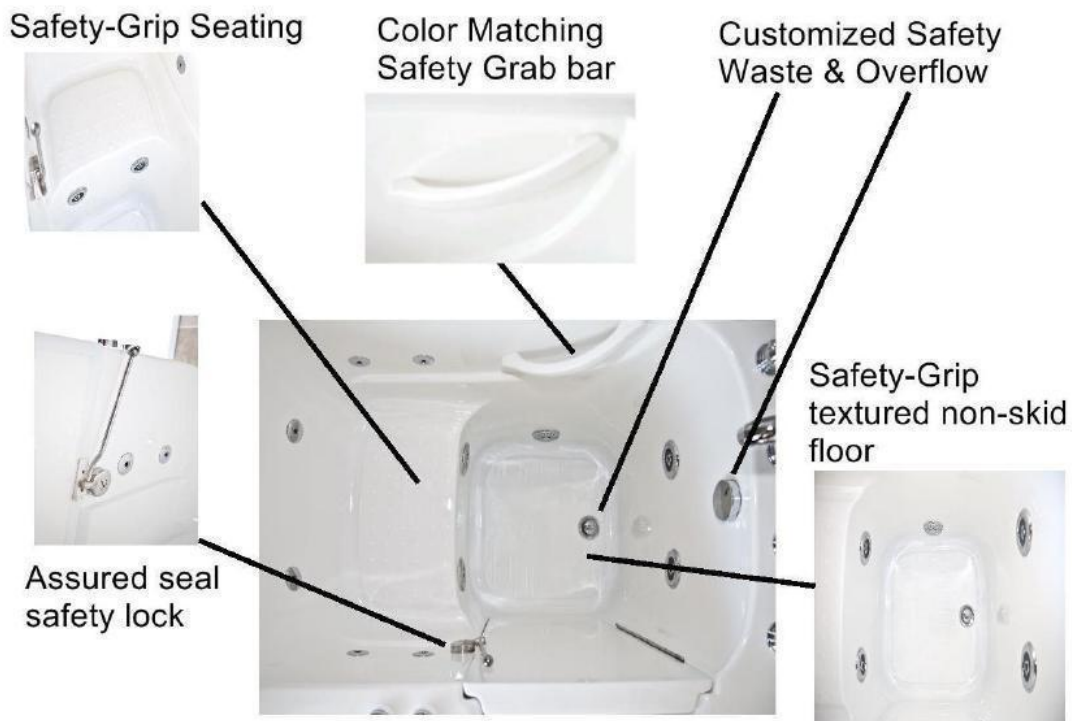
Luxury Line Tubs
1610 James Rodgers Dr.
Valdosta, GA 31603
1-800-930-0050 Phone
1-800-930-0051 Fax
www.luxurylinetubs.com
sales@luxurylinetubs.com

LUXURY LINE

Our factory has been producing custom acrylic bath tubs for over twenty years. Their experience and commitment to quality and service enables them to provide you with walk-in tubs that are both safe and enjoyable to use.

Our bath shells are fabricated from cast, high quality, gleaming sheets of durable acrylic. The non-porous surface is impervious to stains, grease or grime associated with surface finishes of conventional porcelain and/or gel coat fiberglass. Properly installed and with the care suggested in this manual, your Luxury Line tub will retain its original high luster and offer you trouble-free operation for a lifetime.

Getting Familiar with your Luxury Line Walk-In Bathtub



LUXURY LINE

ALL PANELS ARE SECURED USING HIGH POWERED MAGNETS



Use the super-grip suction tool provided with your unit to remove the access panels.

REMOVING THE HANDY ACCESS PANEL REVEALS THE WATER AND AIR PUMP LOCATIONS FOR EASE OF SERVICE.



The large Luxury Line jets are adjustable from 0 to 100% flow. Simply turn Clockwise as shown to open.

Simply turn counter clockwise as shown to close.

Important Safety Instructions

Read, follow, and save all instructions

Instructions pertaining to a risk of fire, electric shock, or injury to persons.

Caution: Risk of electric shock, disconnect electric power before servicing.

Install to permit access for servicing

An equipment grounding terminal is provided in the field wiring compartment. To reduce the risk of electric shock, this terminal must be connected to the grounding means provided in the electric supply panel with a conductor equivalent in size to the circuit conductors supplying this equipment.

WARNING: When using this unit, basic precautions should always be followed, including the following:

WARNING: RISK OF ACCIDENTAL INJURY OR DROWING, CHILDREN SHOULD NOT USE ANY HYDROMASSAGE BATHTUB WITHOUT ADULT SUPERVISION.

WARNING: RISK OF ACCIDENTAL INJURY OR DROWNING, DO NOT USE HYDROMASSAGE BATHTUB UNLESS ALL SUCTION GUARDS ARE INSTALLED TO PREVENT BODY AND HAIR ENTRAPMENT.

WARNING: TO AVOID INJURY, EXERCISE CARE WHEN ENTERING OR EXITING THE HYDROMASSAGE BATHTUB.

WARNING: RISK OF ACCIDENTAL INJURY OR DROWNING, DO NOT USE DRUGS OR ALCOHOL BEFORE OR DURING THE USE OF A HYDROMASSAGE BATHTUB EQUIPPED WITH HEATER TO AVOID UNCONSCIOUSNESS AND POSSIBLE DROWNING.

WARNING: RISK OF FETAL INJURY, PREGNANT OR POSSIBLY PREGNANT WOMEN SHOULD CONSULT A PHYSICIAN BEFORE USING A HYDROMASSAGE BATHTUB EQUIPPED WITH A HEATER.

WARNING: RISK OF HYPERTHERMIA AND POSSIBLE DROWNING, DO NOT USE A HYDROMASSAGE BATHTUB EQUIPPED WITH HEATER IMMEDIATELY FOLLOWING STRENUOUS EXERCISE.

LUXURY LINE

WARNING: RISK OF HYPERTHERMIA AND POSSIBLE DROWNING, WATER TEMPERATURE IN EXCESS OF 38°C MAY BE INJURIOUS TO YOUR HEALTH. CHECK AND ADJUST WATER TEMPERATURE BEFORE USE.

WARNING: RISK OF HYPERTHERMIA, PEOPLE USING MEDICATION AND/OR HAVING AN ADVERSE MEDICAL HISTORY SHOULD CONSULT A PHYSICIAN BEFORE USING A HYDROMASSAGE BATHTUB EQUIPPED WITH HEATER.

- For Indoor use only, Use unit only for its intended use as described in this manual.
- Install in accordance with the Manufacturer's Installation instructions.
- Use supply wires suitable for 20A OC.
- Connect only to a circuit protected by a Class A ground fault circuit interrupter.
- Connect only to a branch circuit protected by and over current protection device rated not more than 20A.
- Bonding lugs use copper conductors only.

(For permanently connected units) A green-colored terminal (or a wire connector Marked "G", "GR", "Ground," or "Grounding") is provided within the terminal compartment. To reduce the risk of electric shock, connect this terminal or connector to the grounding terminal of your electric service or supply panel (SEE WIRING DIAGRAM PAGE 7) with a conductor Equivalent in size to the circuit conductors supplying this equipment.

Do not use attachments not recommended by the manufacturer.

Never drop or insert any object into any opening

Do not operate this unit without the guard over the suction fitting.

The unit must be connected only to a supply circuit that is protected by a ground-fault Circuit-interrupter (GFCI). Such a GFCI should be provided by the installer and needs to be tested on a routine basis in ACCORDANCE WITH THE MANUFACTURER'S INSTRUCTIONS.

(For permanently connected units) A green-colored terminal (or a wire connector Marked "G", "GR," "Ground," or "Grounding") is provided within the terminal Compartment. To reduce the risk of electric shock, connect this terminal or connector to the grounding terminal of your electric service or supply panel with a conductor equivalent in size to the circuit conductors supplying this equipment.

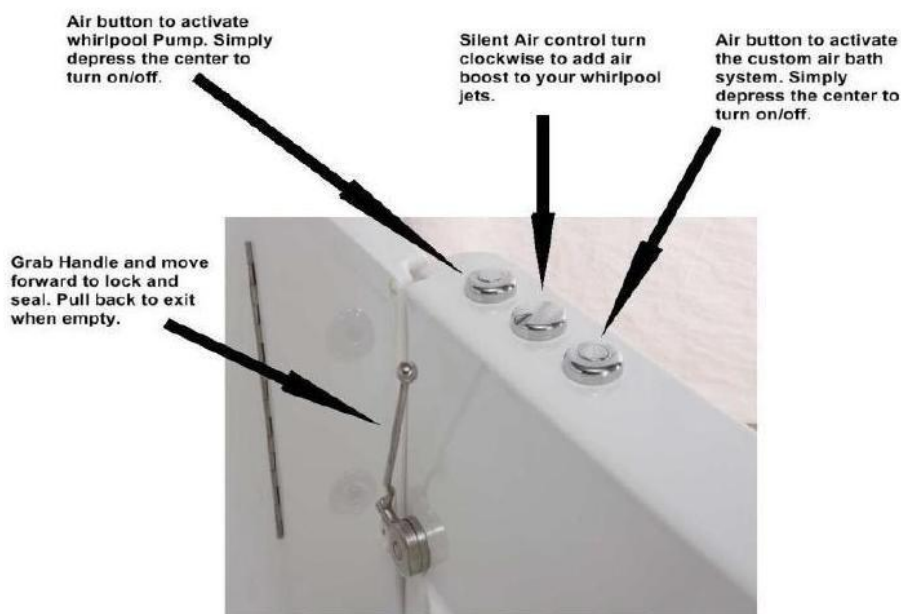
LUXURY LINE

OPERATING INSTRUCTIONS

Close your drain (TO AVOID SLOW DRAINAGE MAKE SURE YOUR DRAIN WAS PROPERLY TESTED AND ADJUSTED DURING THE INSTALLATION PROCESS – SEE PG 8 FOR ADJUSTMENT PROCEDURES) and the door, secure the door lock mechanism by moving the lever to its furthest forward position and begin filling the bath with clean water at the desired temperature. The final water depth should be two inches (2”) above the highest jet before activating the pump.

NEVER ATTEMPT TO RUN THE PUMP/MOTOR WITH LESS WATER THAN THIS IN THE BATH.

1. Your whirlpool bath is equipped with an ON/OFF pneumatic air activated transmitter switch/button. To start the whirlpool system, simply depress the air switch transmitter button (pictured below) and the pump will turn on. Depress again to shut it off.
2. Your walk-in bathtub may or may not contain an air-mixing control knob mounted high inside the walls of the tub bowl or on the flat deck surface. This controls the air that mixes with water coming out of the jets. You can increase the air supply by opening the air control in a counter-clockwise direction. You will enjoy more therapeutic “tingle” as you increase the air supply. NOTE: THE USE OF BUBBLE BATH, OILS OR FOAMING PRODUCTS IS DEFINITELY NOT RECOMMENDED IN WHIRLPOOLS OR COMBO TUBS WHILE OPERATING THE WHIRLPOOL SYSTEM. THESE PRODUCTS CAN BE SAFELY USED W/ AN AIR BATH OR SOAKER TUB.
3. Some whirlpool jets may be directional and are adjusted by your fingertip. Some may include water flow volume control. These jets are adjusted by turning the nozzle clockwise to increase flow and counterclockwise to decrease flow.
4. **WARNING:** Prolonged immersion in hot water may induce extremely high body temperatures (hyperthermia). This is the loss of fluid and salt from the body thru excessive sweating. Dizziness, weakness, headache, nausea, sometimes muscular cramps and sudden feeling of faintness are the usual early symptoms.



LUXURY LINE

Drain Stopper Adjustment

Step 1- Lift the drain stopper out of the drain.

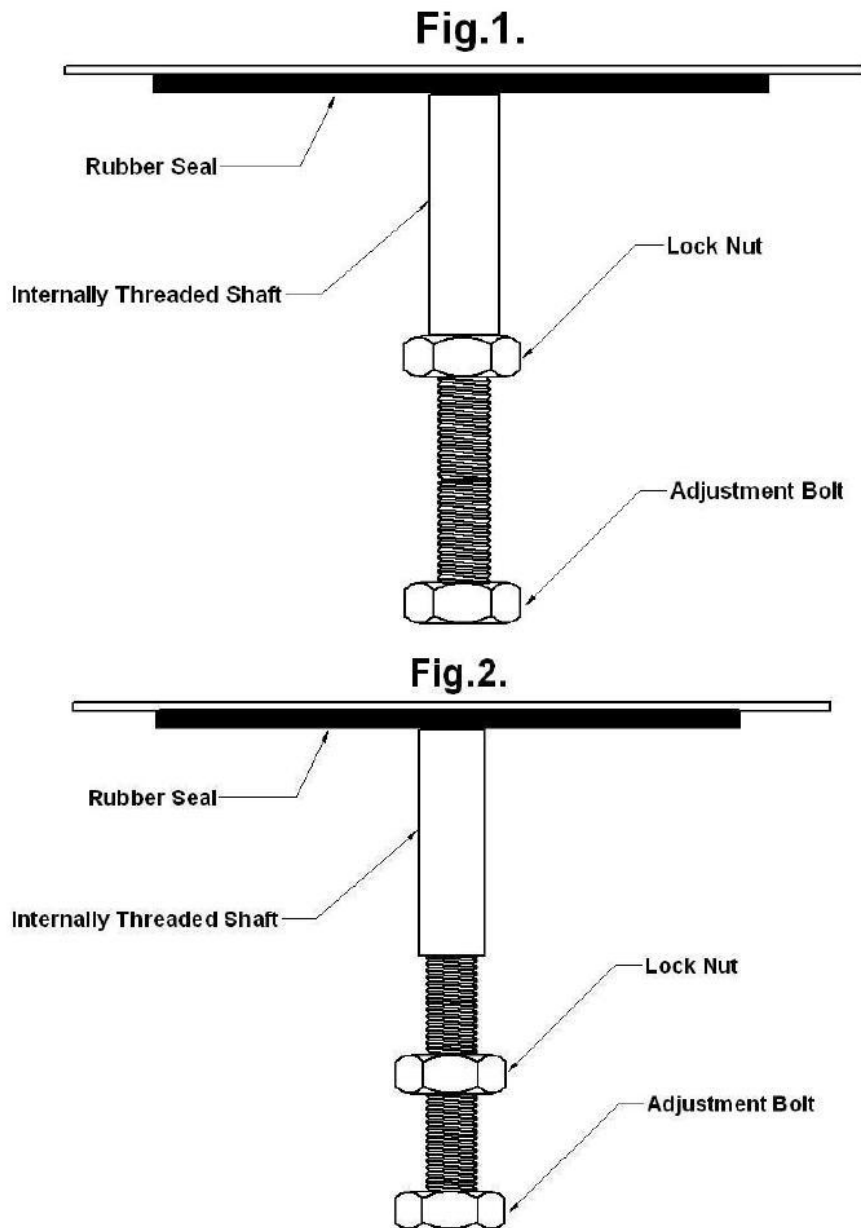
Step 2- Locate the lock nut as shown in figure 1.

Step 3- Loosen the lock nut as shown in figure 2.

Step 4- Turn the adjusting bolt in or out to the desired height.

Step 5- Tighten the lock nut.

Step 6- Insert the stopper back into the drain.



CARE AND CLEANING

Your tub has an acrylic finish and will retain its high luster for years with proper care. Never use an abrasive cleaner or pad to clean your whirlpool. Always use a soft cloth or sponge along with a spray liquid non-abrasive bath cleaner/disinfectant. On the metal trim, use only a soft cloth and warm soapy water. Rinse and dry as with any highly polished metal fixture.

WHIRLPOOL CLEANING INSTRUCTIONS

Before using the whirlpool bath, the system should be thoroughly cleaned and disinfected. **DO NOT USE ABRASIVE CLEANERS ON THIS HIGH-GLOSS ACRYLIC FINISH.** Use a non-abrasive cleaner and rinse **THOROUGHLY** after cleaning.

- Fingernail polish remover can be used to remove labels from surface of tub.
- Close the air controls to prevent excessive foaming. To close air controls turn knobs clockwise.
- Fill the tub to 2" above the highest jet with water
- Add 2 teaspoons of low sudsing automatic dishwashing detergent along with no more than 4 ounces of a household bleach to the water
- Operate for 5 to 10 minutes
- Drain the tub—fill it with water—operate for 5 minutes, then drain.
- When using your whirlpool, fill it the way you would any conventional bathtub, but use moderation in experimenting with small amounts of shampoo or soap products.

Avoid excessive foaming. We do not recommend the use of bath oils or bubble baths in this product. **DO NOT START THE WHIRLPOOL PUMP UNTIL THE TUB IS FILLED WITH WATER.**

1. Fill the tub with the desired temperature water to approximately 2" above the highest jet.
2. Turn on the whirlpool pump. This will start the whirlpool action.
3. Turn off the pump to stop the whirlpool action.
4. Drain and rinse the tub after use.

Another very important area to maintain is the door drain located at the bottom of your door opening. You can see this drain only when the door is in the open position. Important; Please be sure to keep it clean and free of debris at all times. To clean door drain line use a can of compressed air (generally used on computers). Insert the air can tube into the drain hole and depress the button on the top of the can.

LUXURY LINE

LIMITED WARRANTY

This Luxury Line is warranted to the original consumer purchaser to be free from defects in material and workmanship for the following period:

The Bathtub is warranted for a period of ten (10) years.

The plumbing system (including pump) is warranted for a period of five (5) years.

This warranty is made to the original consumer purchaser and shall be effective from the date of purchase as shown on purchaser's receipt.

Luxury Line will repair or replace (at its option) any unit which proves to be defective in material or workmanship under normal use and service, having been properly installed. THIS WARRANTY IS THE ONLY EXPRESS WARRANTY MADE BY LUXURY LINE AND IS LIMITED TO THE DURATION OF THIS WARRANTY. LABOR CHARGES AND/OR DAMAGE INCURRED IN INSTALLATION, REPAIR OR REPLACEMENT AS WELL AS INCIDENTAL AND CONSEQUENTIAL DAMAGES CONNECTED THEREWITH ARE EXCLUDED AND WILL NOT BE PAID BY LUXURY LINE.

Some states do not allow the exclusion or limitation of incidental or consequential damages, so the above limitation or exclusion may not apply to you.

This warranty is void for any damage to the bath tub or system due to abuse, misuse, neglect, accident, improper installation, and use violating instructions furnished by us, or medication or repair not authorized in writing by Luxury Line.

Door Seal

Luxury Line offers a lifetime warranty on the door seal. The warranty covers defects in the material, cracking, peeling or degeneration of the composite material used. It will not cover damage sustained by misuse, vandalism, installation damage or damages caused by chemicals, heat, or exposure to the elements. This warranty only covers direct replacement of the seal itself and does not necessarily include any installation. This warranty is offered only to the original purchaser, and installed in the original home. This warranty is non-transferable.